

1 EM-BIO8-EFCP Quick Guide

EM-BIO8-EFCP is optional plug-in card. Through this card controller can accommodate one AC current (CT) measuring input (1A or 5A input) and up to 8 binary inputs or outputs. In IntelliConfig PC configuration tool it is possible to easily choose if particular I/O will be binary input or output.

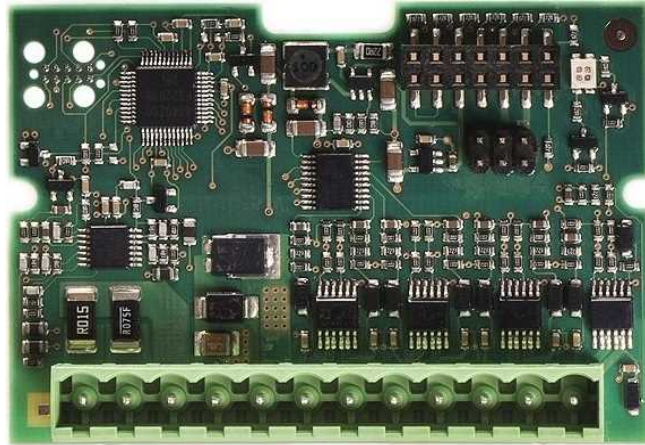


Image 1.1 EM-BIO8-EFCP interface

IMPORTANT: Any manipulation with plug-in module shall be done with disconnected power supply to controller.

IMPORTANT: Earth fault current measurement is supported by controller only in slot A.

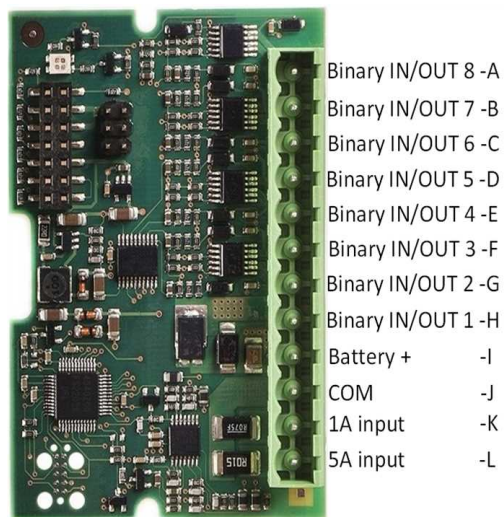


Image 1.2 Overview of EM-BIO8-EFCP

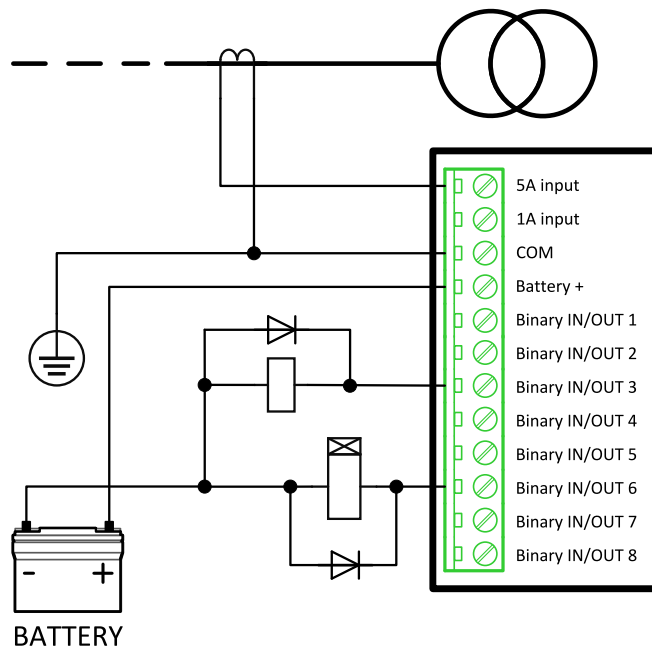


Image 1.3 EM-BIO8-EFCP wiring

Firmware upgrade

- Download the newest FW of module from ComAp website (in form of PSI file or installation package)
- Install package to computer or open PSI to install it into IntelliConfig
- Plug the module into the controller and power the controller on.
- Open a connection with controller via IntelliConfig
- Go the menu Tools -> Firmware upgrade, select the Plug-in modules tab and select the appropriate firmware you want to program into the module (in IntelliConfig).
- Press the OK button to start upgrade of firmware.

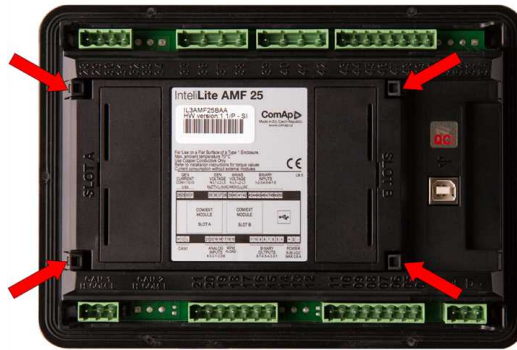
The firmware update process may be performed via any kind of connection including connection via the same module in which the firmware is to be updated. The connection is re-established again automatically when the update process is finished.

Note: For more information see *IntelliLiteGlobal Guide* on www.comap-control.com.

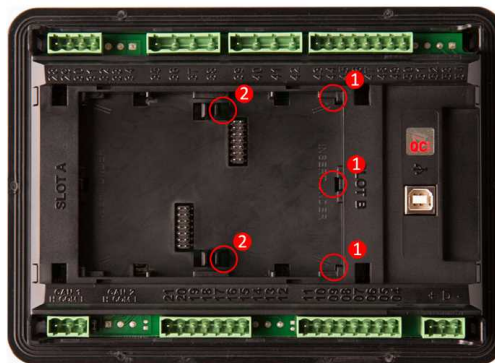
Plug-in module installation

IMPORTANT: Any manipulation with plug-in module shall be done with disconnected power supply to controller.

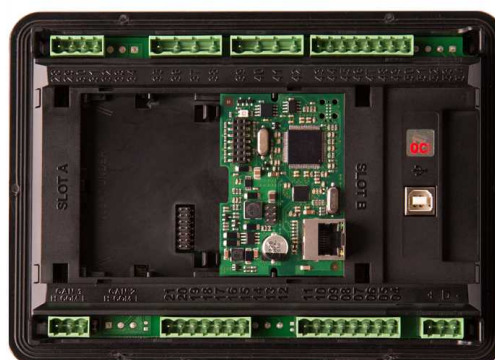
Remove the back cover. To do this, press four holders which are located in corners.



After removing back cover insert the plug-in module. Plug-in module has to be inserted under holders. Start with holders marked by symbol 1. On the controller are also arrows for better navigation. After inserting plug-in module under holders (1) press it down to holders marked by symbol 2 which lock the module.



Insert the plug-in module under holders marked by symbol 1. Then insert the plug-in module under holders marked by symbol 2.



After locking the plug-in module into holders, place back the back cover (small cover for connectors has to be removed from back cover). Finally insert the small cover for connectors. Small covers are unique for each plug-in module.